

## TECHNICAL SHEET - SCHEDA TECNICA




### DESCRIPTION - DESCRIZIONE

Built-in thermostatic mixer, with square external part for 1 water pattern, in chrome-plated brass and round handle

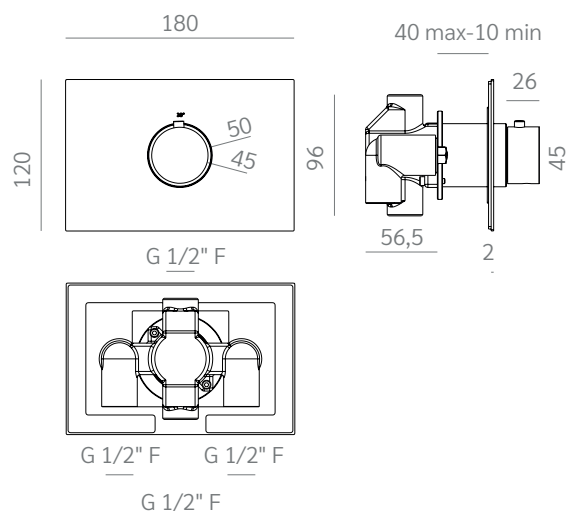
### TECHNICAL FEATURES - CARATTERISTICHE TECNICHE

Allacciamenti / Connections	1/2" F
Portata consigliata / Flow	25 L 3 bar
Pressione di Utilizzo / Pressure of use	1-5 bar
Profondità Min / Minimum Depht	70 mm
Profonfità Max / Maxiumum Depht	100 mm

### FINISHES - FINITURE

Chrome	Brushed Chrome	Gun Metal PVD	Gold	White	Copper Bronze	Matt Black	Sky Chrome
 C	 X	 GM	 AU	 W	 CBR	 BK	 CPVD

## GTT1



### MATERIALS - MATERIALE

Super mirror stainless steel plate

### NET WEIGHT - PESO NETTO

2,90 Kg

### GROSS WEIGHT - PESO LORDO

3,90 Kg